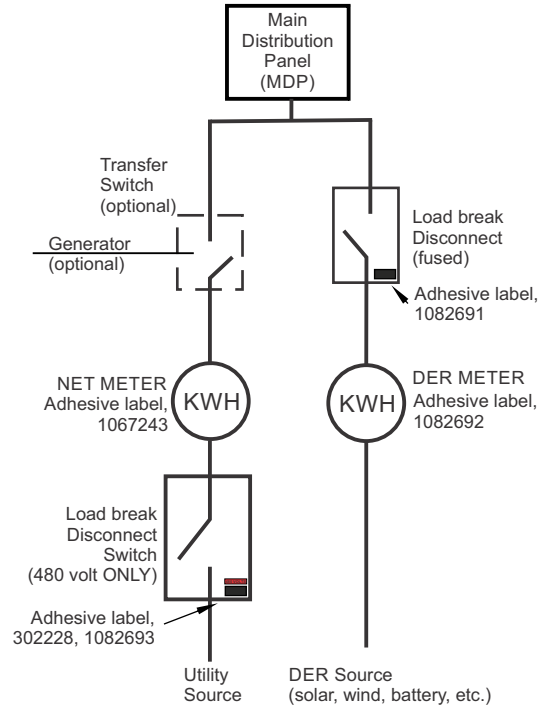
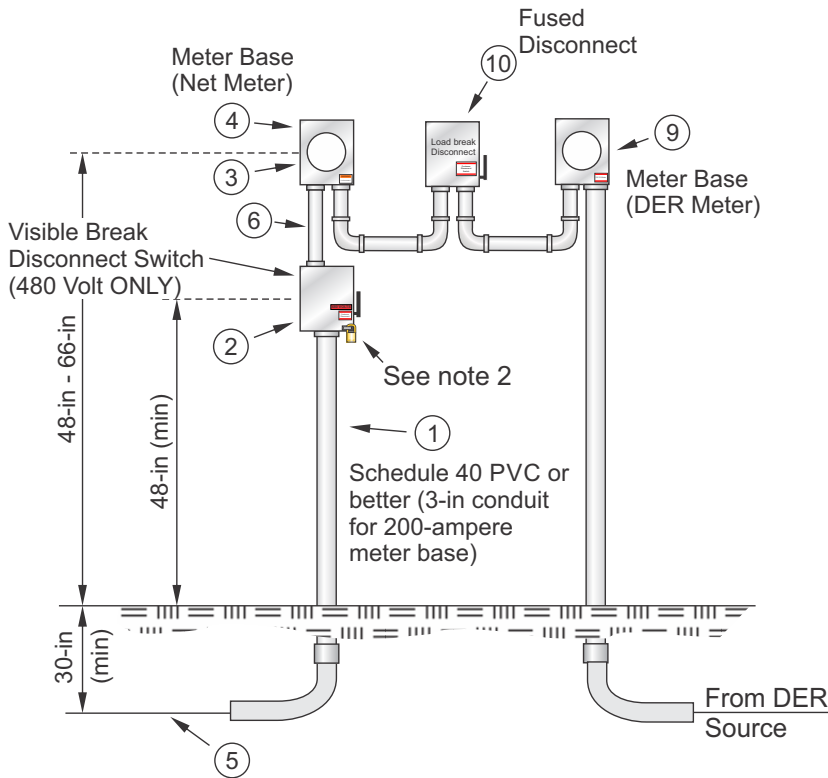


## OKLAHOMA ONLY



**ONE-LINE DIAGRAM**

ITEM NO	DESCRIPTION	FURNISHED BY		INSTALLED BY	
		O.G. & E.	CONSUMER	O.G. & E.	CONSUMER
1.	Service Lateral Raceway		X		X
2.	Load-Break Disconnect (480 Volt Only)		X		X
3.	Meter Base	X			X
4.	Self contained meter, NET	X		X	
5.	Service Lateral	X		X	
6.	Service Raceway		X		X
* 7.	Service Equipment		X		X
* 8.	Grounding Electrode & Grounding Electrode Conductor		X		X
9.	Self-contained meter, DER	X		X	
10.	Fused Disconnect		X		X

\* Not Shown

**Notes:**

1. Must comply with OG&E DER Interconnection Standards.
2. OG&E to secure load-break disconnect box with series 1 lock (stk#301236).
3. OG&E equipment is to be installed on outside surface of structure and is not to be recessed.
4. Refer to U16 for proper identification and marking.
5. Refer to U760 & U760.1 for Metering Guidelines.
6. Testing and certification with completed application must be received.
7. Visible Break Isolation Device must be within 10' of main or DER meter.
8. Meters are to be bi-directional

**DISTRIBUTED ENERGY RESOURCE (DER) METER INSTALLATION  
FOR SELF-CONTAINED METERS  
120/240 & 120/208 400-AMPERES MAXIMUM, 277/480-VOLTS 200-AMPERES MAXIMUM  
DER NOT CONNECTED THROUGH CUSTOMER MDP**