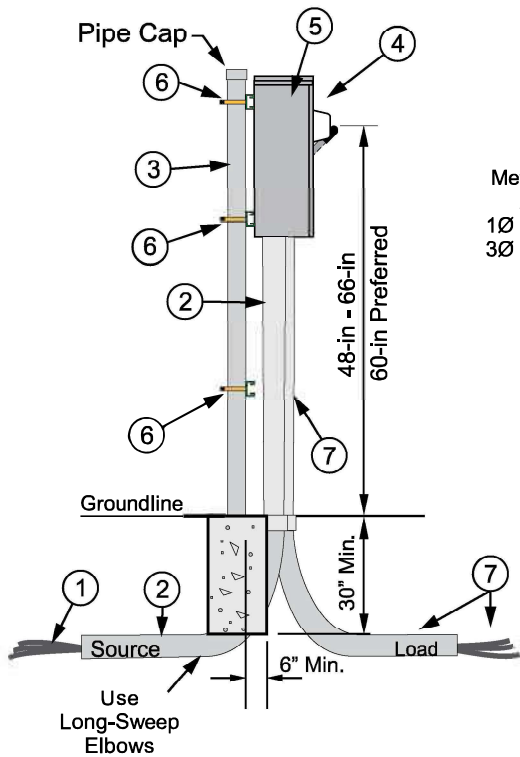
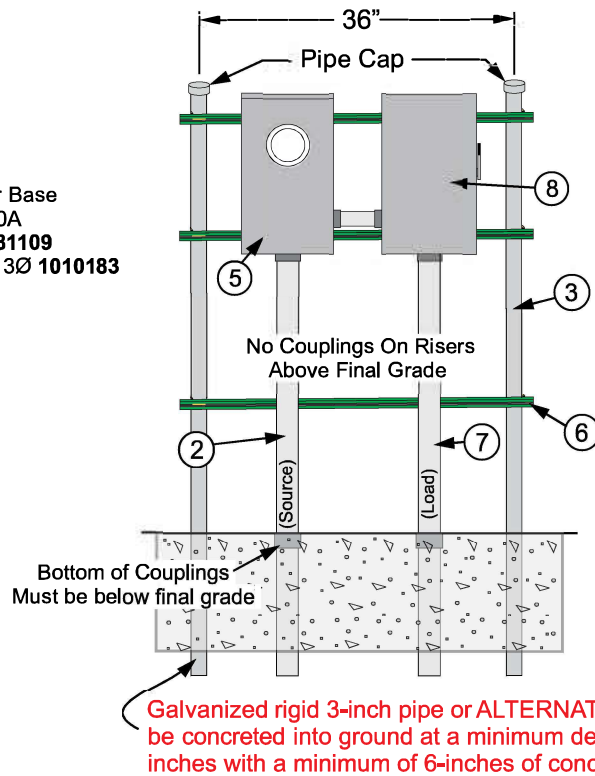


# U773.7

UNDERGROUND STANDARD  
Version I - APR 2023



Meter Base	Meter Base
200A	400A
1Ø 281065	1Ø 281109
3Ø 281086	1Ø & 3Ø 1010183



ITEM Number	DESCRIPTION	FURNISHED BY		INSTALLED BY	
		O.G.&E.	CONSUMER	O.G.&E.	CONSUMER
1	Service Lateral	X		X	
± 2	Service Lateral Raceway & 90° Bend		X		X
3	3-inch Galvanized Rigid Pipe OR Refer to Notes for ALT *6-9 (set in concrete)		X		X
4	Meter	X		X	
5	Meter Base	X			X
6	1 5/8-inch Kindorf and Clamps		X		X
7	Conduit and wire		X		X
8	Fused/Breaker Disconnect Switch		X		X
*9	Grounding Electrode & Grounding Electrode Conductor		X		X

\* Not shown | ± 3" Schedule 40

Notes

- Place caps on top of pipes to keep moisture from inside of pipe to prevent deterioration.
- When meter cannot be mounted on a building, place two pipes 36-inches apart with 1-5/8-inch Kindorf between pipes to attach equipment.
- Refer to U16 for proper identification and marking.
- In order for the meter to be accessible for operation and maintenance, a minimum of 5 feet clearance from all obstructions must be maintained in front of the meter.
- OG&E equipment not to be used for customer grounding.
- All metal may be pipe or tubing: round, square, or rectangle.
- Uprights must be minimum of 11ga (1/8-inch) and 3-inch diameter (Round), 3"x 3" (Square), or 3" x 4" (Rectangle)
- Cross-members must be minimum of 14ga (5/64-inch).
- If not galvanized, must be painted with an effective anti-corrosive and rust preventive coating.

## METER INSTALLATION

FOR SELF-CONTAINED SINGLE OR THREE PHASE METER  
240/120, 240Δ/120, OR 208Y/120 VOLTS 400-AMPERES MAXIMUM

SUPERSEDES JUN 2021 ISSUE  
APPROVED Signatures on File

The following is a suggested configuration for meter bases for overhead and underground meters in residential and commercial applications. OGE Energy Corp., its subsidiaries and affiliates, disclaim any and all liability for the construction or maintenance practices relating to such suggested configuration. Each individual, company, or entity engaging the work associated with this configuration bears full responsibility for its, his, or her own occupational training, and compliance with all applicable local, state, and national laws and regulations. The configuration is not intended to replace the training, know-how, or instruction that may be needed for safe construction or maintenance.