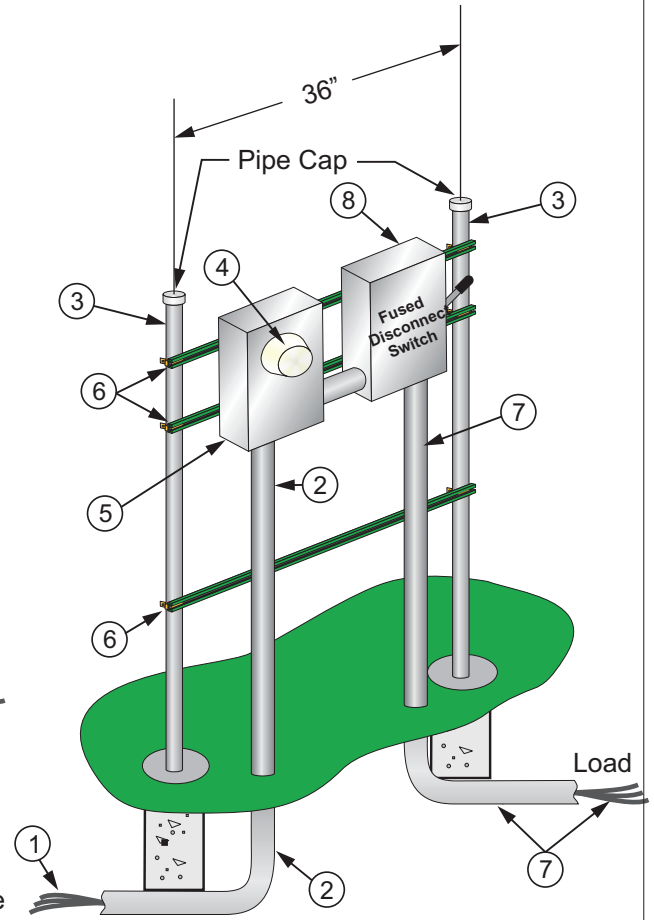
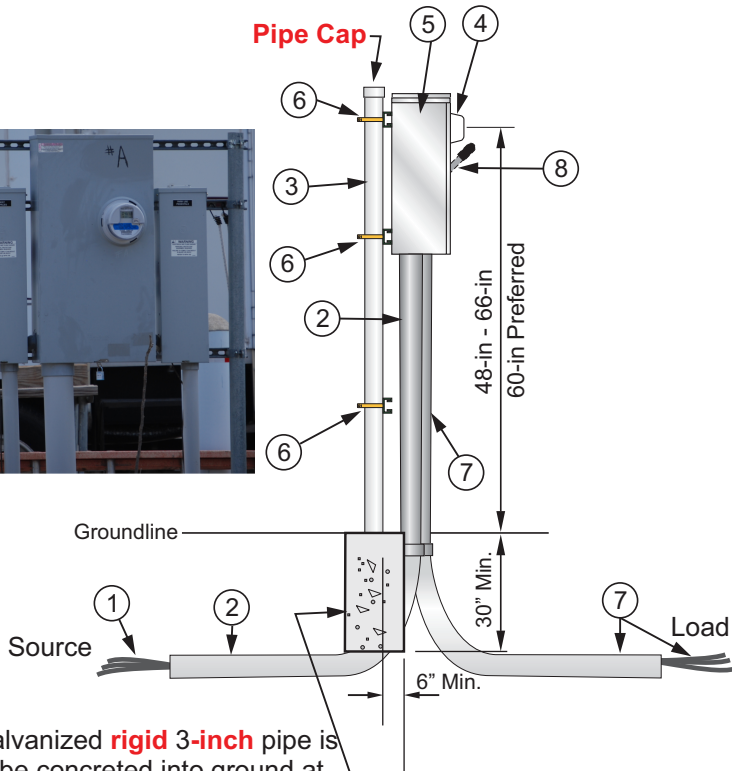


# U773.7

UNDERGROUND STANDARD  
MAY 2016

OG&E Electric Services<sup>®</sup>



Galvanized **rigid 3-inch** pipe is to be concreted into ground at a minimum depth of 30-inches with a **minimum of 6-inches** of concrete surrounding pipe.

| ITEM Number | DESCRIPTION   | FURNISHED BY |          | INSTALLED BY |          |
|-------------|---|--------------|----------|--------------|----------|
|             |   | O.G.&E.      | CONSUMER | O.G.&E.      | CONSUMER |
| 1           | Service Lateral                                     | X            |          | X            |          |
| ‡ 2         | Service Lateral Raceway & 90° Bend                  |              | X        |              | X        |
| 3           | 3-inch Galvanized <b>Rigid</b> Pipe set in concrete |              | X        |              | X        |
| 4           | Meter   | X            |          | X            |          |
| 5           | Meter Base  | X            |          |              | X        |
| 6           | 1 5/8-inch Kindorf <b>and Clamps</b>                |              | X        |              | X        |
| 7           | Conduit and wire                                    |              | X        |              | X        |
| 8           | Fused Disconnect Switch                             |              | X        |              | X        |
| *9          | Grounding Electrode & Grounding Electrode Conductor |              | X        |              | X        |

‡ Size and number of conduits as specified by OG&E  
\* Not shown

**Notes**

- Place caps on **top of pipes** to keep moisture from inside of pipe to prevent deterioration.
- Pipe** to be galvanized **rigid 3-inch** pipe. **Pipe** to be set at a **minimum** depth of 30-inches with a minimum of 6-inches of concrete surrounding **pipe**.
- When meter cannot be mounted on a building, place two **pipes** 36-inches apart with 1-5/8-inch Kindorf between **pipes** to attach equipment.
- Refer to U16 for proper identification and marking.
- In order for the meter to be accessible for operation and maintenance, a minimum of 4 feet clearance from all obstructions must be maintained in front of the meter.**

## METER INSTALLATION

FOR SELF-CONTAINED SINGLE OR THREE PHASE METER  
240/120, 240Δ/120, OR 208Y/120 VOLTS      400-AMPERES MAXIMUM

SUPERSEDES NOV 2015 ISSUE  
APPROVED **Signatures on File**

The following is a suggested configuration for meter bases for overhead and underground meters in residential and commercial applications. OG&E Energy Corp., its subsidiaries and affiliates disclaim any liability for the construction or maintenance practices relating to such suggested configuration.